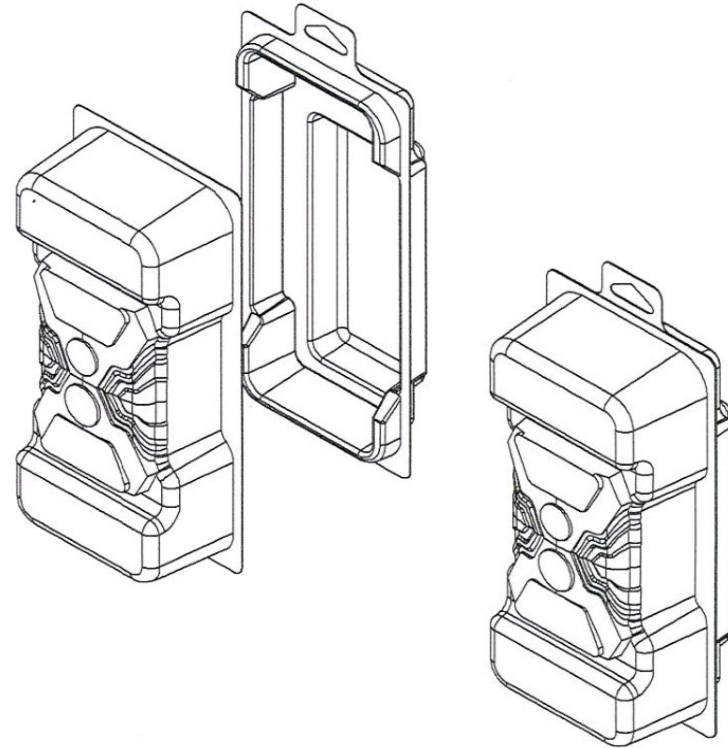
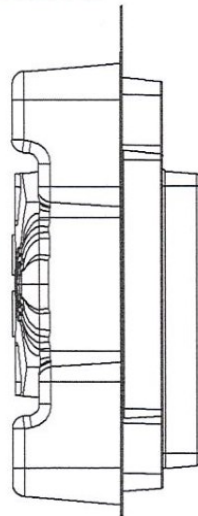
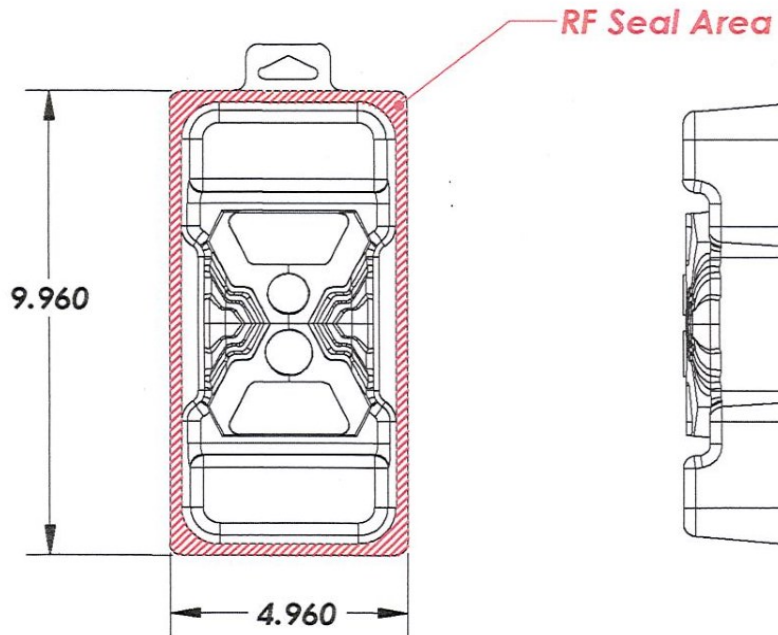
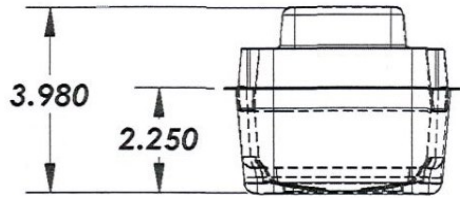


REVISIONS			
REV.	DESCRIPTION	DATE	APPROVED



PROPRIETARY AND CONFIDENTIAL

THE INFORMATION CONTAINED IN THIS DRAWING IS THE SOLE PROPERTY OF **Package Development Co., Inc.** ANY REPRODUCTION IN PART OR AS A WHOLE WITHOUT THE WRITTEN PERMISSION OF **Package Development Co., Inc.** IS PROHIBITED. And further design, development, engineering, debugging and prototype might be necessary to produce a functional product. Designed and Engineered in part or in whole by **Package Development Co., Inc.** and owned by same.

5

COPIED TO DEPARTMENTS

- Production Records**
- Design**
- Tool Shop**
- Sales**
- Q.C.**
- Operations**

4

CUSTOMER:

MATERIAL & STARTING GAUGE
PVC .024

FINISH

DO NOT SCALE DRAWING

3



Package Development Co., Inc.
100 Roundhill Drive, Rockaway, NJ 07866
(973) 983-8500, FAX (973) 983-8666

PROJECT

NAME	DATE	SIZE	DWG. NO.
DRAWN GDR	9/8/14	A	
CHECKED			

ALL TOLERANCES ARE $\pm 1/32$

2

REV
3

1